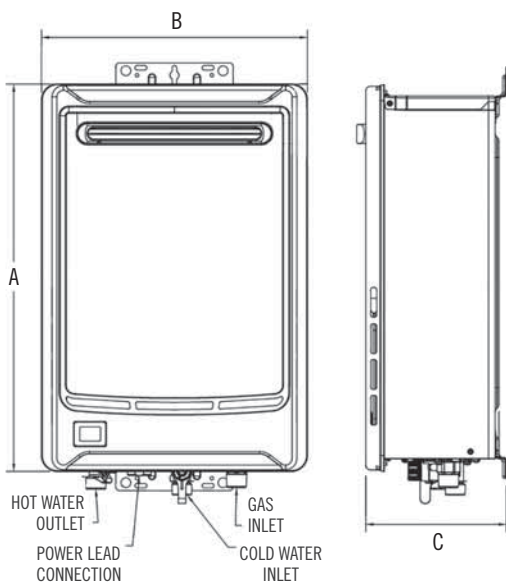
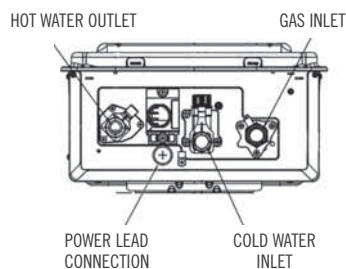


RHEEM CONTINUOUS FLOW PRODUCT DATA

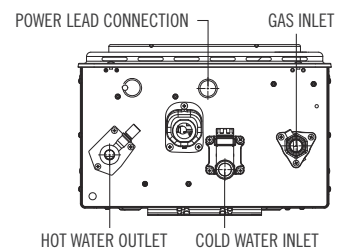
| | Rheem 12 | | Rheem 16 | | Rheem 20 | | Rheem 26 | | Rheem 27 | | Rheem 27 INTERNAL | |
|---|---------------------|-------------|---------------------|-------------|---------------------|-------------|---------------------|-------------|---------------------|-------------|-------------------|----------|
| Model Number | 876812NF/PF | 874812NF/PF | 876T16NF/PF | 874T16NF/PF | 876820NF/PF | 874820NF/PF | 876T26NF/PF | 874T26NF/PF | 876627NF/PF | 874627NF/PF | 866627NF | 864627NF |
| Maximum Temperature °C | 50 | 60 | 50 | 60 | 50 | 60 | 50 | 60 | 50 | 60 | 50 | 60 |
| Number of Bathrooms | 1 | | 1 – 1.5 | | 1.5 – 2 | | 2 – 2.5 | | 2.5 – 3 | | 2.5 – 3 | |
| Gas Type | Natural Gas/Propane | | Natural Gas/Propane | | Natural Gas/Propane | | Natural Gas/Propane | | Natural Gas/Propane | | Natural Gas | |
| GAS Energy Rating ★ | 6.0 Stars | | 6.0 Stars | | 6.0 Stars | | 6.0 Stars | | 6.0 Stars | | 6.0 Stars | |
| Flow Rate L/Min at 25°C Rise ² | 12L/Min | | 16L/Min | | 20L/Min | | 26L/Min | | 27L/Min | | 27L/Min | |
| Minimum Operating Flow Rate | 2.0L/Min | | 2.0L/Min | | 2.0L/Min | | 2.0L/Min | | 2.0L/Min | | 2.0L/Min | |
| Nominal Gas Consumption | 94 MJ/Hr | | 126 MJ/Hr | | 157 MJ/Hr | | 199 MJ/Hr | | 205 MJ/Hr | | 205 MJ/Hr | |
| Dimensions | | | | | | | | | | | | |
| A - Height mm | 520 | | 520 | | 520 | | 520 | | 600 | | 650 | |
| B - Width mm | 355 | | 355 | | 355 | | 355 | | 350 | | 350 | |
| C - Depth mm | 187 | | 187 | | 187 | | 187 | | 225 | | 250 | |
| Depth – from wall to Hot Water Outlet | 87 | | 87 | | 87 | | 87 | | 84 | | 107 | |
| Depth – from wall to Cold Water Inlet | 68 | | 68 | | 68 | | 68 | | 64 | | 86 | |
| Depth – from wall to Gas Inlet | 77 | | 77 | | 77 | | 77 | | 97 | | 119 | |
| Weight (empty) | 16kg | | 16kg | | 16kg | | 16kg | | 23kg | | 24kg | |
| Max. Water Supply Pressure | 1000kPa | | 1000kPa | | 1000kPa | | 1000kPa | | 1000kPa | | 1000kPa | |
| Min. Water Supply Pressure | 120kPa | | 120kPa | | 120kPa | | 120kPa | | 140kPa | | 140kPa | |
| Cold Water Connection | R ¾ | | R ¾ | | R ¾ | | R ¾ | | R ¾ | | R ¾ | |
| Hot Water Connection | R ¾ | | R ¾ | | R ¾ | | R ¾ | | R ¾ | | R ¾ | |
| Gas Inlet | R ¾ | | R ¾ | | R ¾ | | R ¾ | | R ¾ | | R ¾ | |
| Temperature Controllers | | | | | | | | | | | | |
| Kitchen | 299850 | | 299850 | | 299850 | | 299850 | | 299850 | | 299850 | |
| Bathroom 1 | 299851 | | 299851 | | 299851 | | 299851 | | 299851 | | 299851 | |
| Bathroom 2 | 299852 | | 299852 | | 299852 | | 299852 | | 299852 | | 299852 | |
| Deluxe Temperature Controllers | | | | | | | | | | | | |
| Kitchen | 299858 | | 299858 | | 299858 | | 299858 | | 299858 | | 299858 | |
| Bathroom 1 | 299859 | | 299859 | | 299859 | | 299859 | | 299859 | | 299859 | |
| Bathroom 2 | 299860 | | 299860 | | 299860 | | 299860 | | 299860 | | 299860 | |
| Accessories | | | | | | | | | | | | |
| Pipe Cover | 299426 | | 299426 | | 299426 | | 299426 | | 299425 | | - | |
| Recess Box | 299842 | | 299842 | | 299842 | | 299842 | | 299831 | | - | |
| Rheem EZ Link Kit | 299291 | | 299291 | | 299291 | | 299291 | | 299291 | | 299291 | |
| Wall Mount Security Kit | 299868 | | 299868 | | 299868 | | 299868 | | 299868 | | 299868 | |
| Security Cage | 299867 | | 299867 | | 299867 | | 299867 | | 299867 | | - | |
| Flue Diverter (Standard) | 299287 | | 299287 | | - | | 299287 | | - | | - | |
| Flue Diverter (Extended) | - | | - | | - | | 299285 | | - | | - | |



RHEEM 12/16/20/26



RHEEM 27



- Warranty conditions: 10 Years parts and 3 Years labour on Heat Exchanger, 3 Years parts and labour on other components when installed in a domestic dwelling. For all other installations, warranty period is 1 Year parts and labour on Heat Exchanger and other components. Conditions apply. See the Rheem warranty set out in the Owner's Guide & Installation Instructions or view at www.rheem.com.au/warranty.
- Guide only, subject to ambient water temperature and pressure and correct pipe sizing.
- 50°C factory pre-set models supply hot water at a maximum 50°C to all outlets in accordance with AS 3498. Some applications may require tempering, refer to AS/NZS 3500.4. 60°C and higher temperature models must have a tempering valve installed in accordance with AS/NZS 3500.4.
- Confirm with your local authorities that the installation complies with all regulations applicable in your area. Refer to your State or Territory gazetted regulation revision of AS/NZS 5601-XXXX to ensure compliance. Rheem Flue Diverters must only be fitted to these models: 876812NF/874812NF/874T16NF/876T16NF/874T26NF/876T26NF. They must not be fitted to any other models, as this may create an unsafe operating condition.
- Gas solar boosters must be set to 70°C at installation and for operation to comply with applicable regulations. Information current as at March 2018. Materials and data are subject to change without notice.

© Registered Trademark of Rheem Australia Pty Ltd
 ™ Trademark of Rheem Australia Pty Ltd
 ™ Trademark of SAI Global

Rheem Australia Pty Ltd.

1 Alan Street, Rydalmere, New South Wales 2116, Australia
 PO Box 7508, Silverwater, New South Wales 2128, Australia.

